

Working Plattform for Scania Sweden

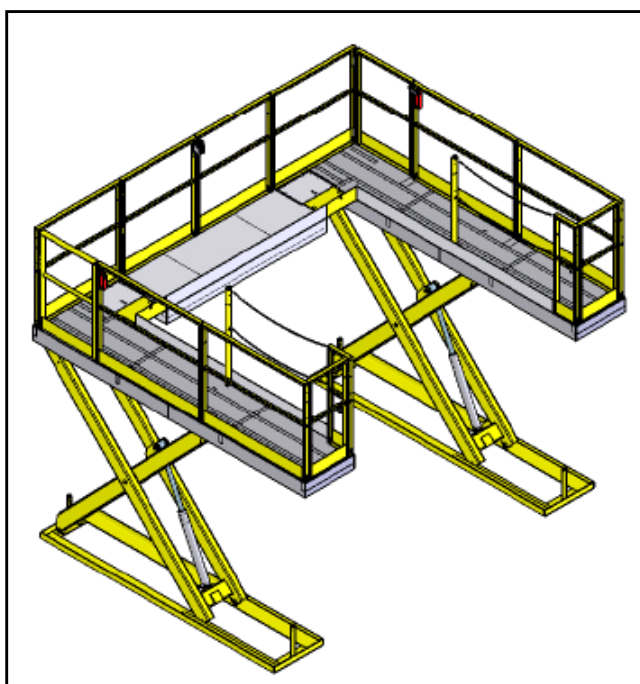


Table type: M3 005200-D2

Mechanical data

Capacity	500kg
Platform size	4180x3550 mm
Lift stroke	2000 mm
Lifting time	46 s
Closed height	350 mm

Other

The working platform gives acces for the operators to reach all around the truck cabin. Its secured all around with detachable railings and gates .
2 pce´s photocells indicates the position and size of the truck cabin

An application from Marco